

White Vinyl Real Estate Post

Real Estate Post Instruction Sheet

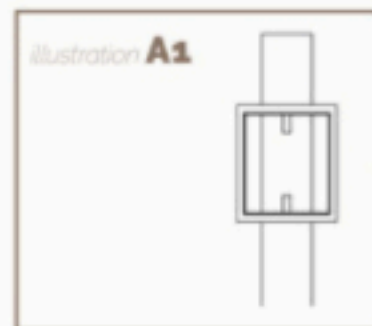
STEP 1 (Fig 1)

Slide the arm through the two aligned holes that are routed on the post. Position the arm so that the two routed slots are both located inside the post. Snap the internal key into the slots.

See *Illustration A1*

STEP 2 (Fig 1)

Slide the post cap and the two arm end caps in place. These will unsnap for disassembly in the future.

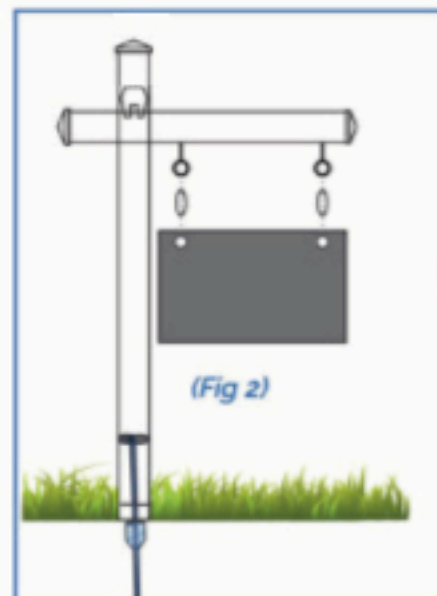
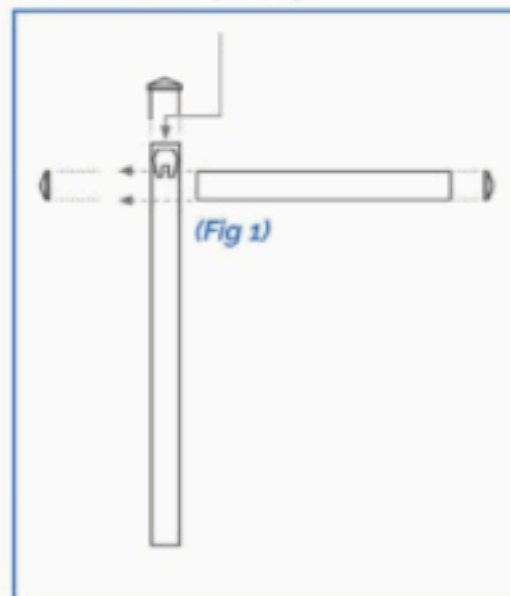


STEP 3 (Fig 2)

Install the "Patented Power Stake" (*Illustration A2*) by driving it into the ground as pictured. Be sure to keep the stake level. Next, just slide the post over the stake. **The bottom of the flat bar must be resting on the ground for proper installation.**

STEP 4 (Fig 2)

To hang your sign, install the eyebolts into the corresponding pre-drilled holes that allow your sign to be centered. Next, thread the locking sign clips into the holes on your sign and then through the hole in the eyebolts. Lock the locking sign clips closed to secure your sign.



YOUR SIGN PARTS

- 1- POST
- 1- REAL ESTATE ARM
- 1- POST CAP
- 2- ARM CAPS

- 1- RETAINING KEY
- 2- EYE SCREWS
- 1- PATENTED POWER STAKE
- 2- LOCKING SIGN CLIPS